

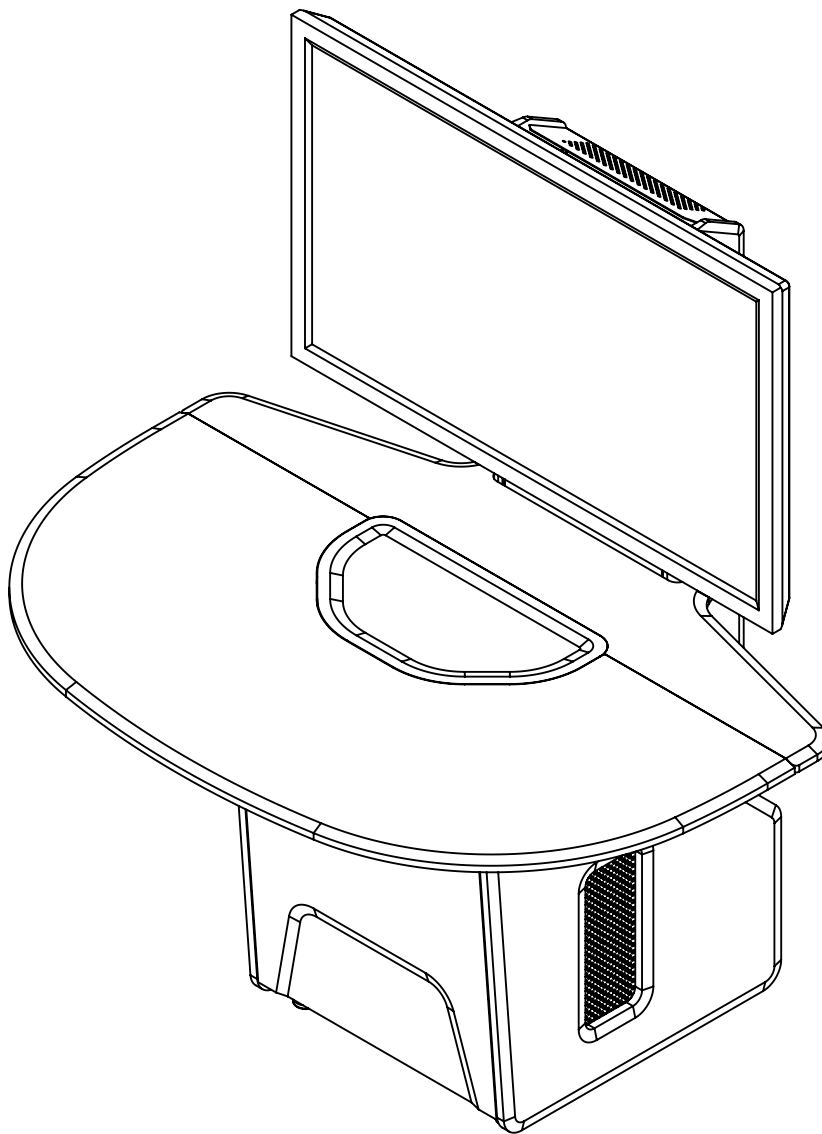


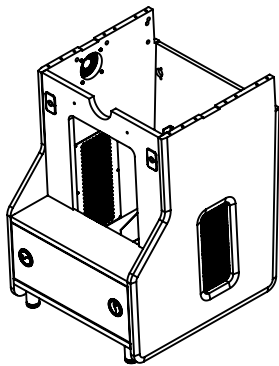
T628/T-NE

Assembly and Setup Instructions for T628T-NE (standing height) and T628-NE (sitting height)

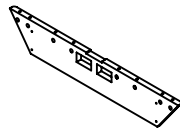
Note: If you cannot understand these instructions or are concerned about safety of the installation Contact a qualified contractor or contact AVFI at 1-877-834-3876.

Not all hardware supplied will be used depending on the manufacturer of your display/s.

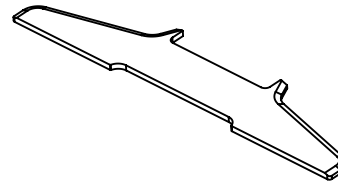




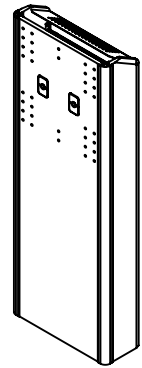
Rack base
(1)



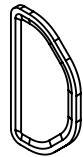
Rack top brace
(1)



Bridge cap
(1)



TP800 Tower
(1)



Small Island
(1)

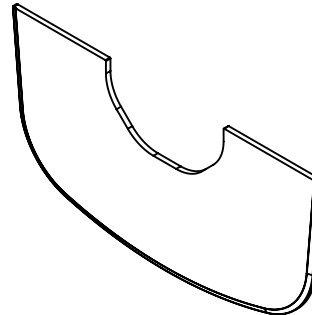
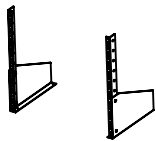


TABLE TOP
(1)



Upright Rack kit
(1)



TV Bracket
(2)



Tube Bracket
(2)



PM2 TUBE
(35" single
45" XL
80" Dual)
(1)

SUPPLIED HARDWARE



2.5" GROMMET
(1)
Fits 2-3/8" hole

TP800
HARDWARE
BAG

TV 32-52
HARDWARE
BAG



5/16x1" DOWEL
(16)



#8 WOOD SCREW
(12)



1" WOOD SCREW
(35)



MENDING PLATE
(5)



M8 NUT
(2)



M8 x 60 Bolt
(2)



M8 FENDER
WASHER
(4)

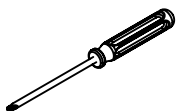


CAM PIN
(20)



CAM LOCK
(20)

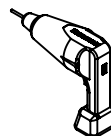
REQUIRED TOOLS (not included)



#2 PHILLIPS (+)
SCREW DRIVER



3/8" DRILL BIT

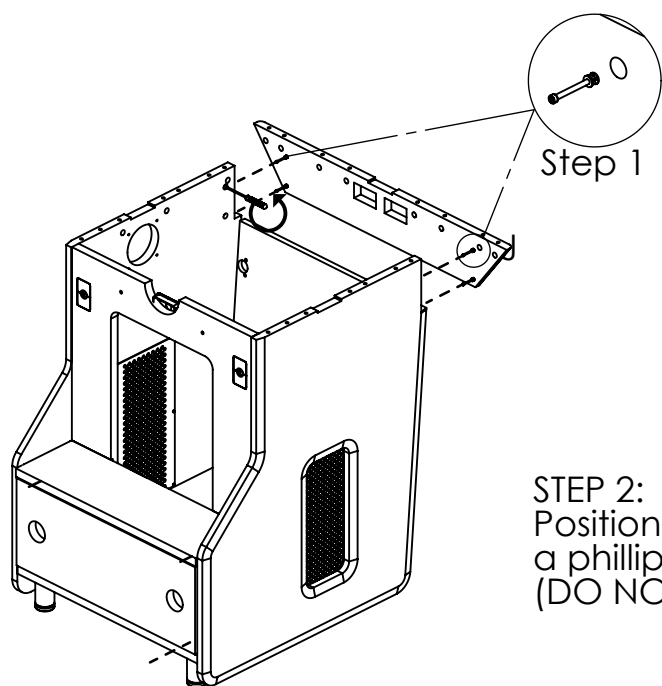


CORDLESS DRILL w/
#2 PHILLIPS DRILL BIT



1/2" WRENCH

AUDIO VISUAL FURNITURE INTERNATIONAL



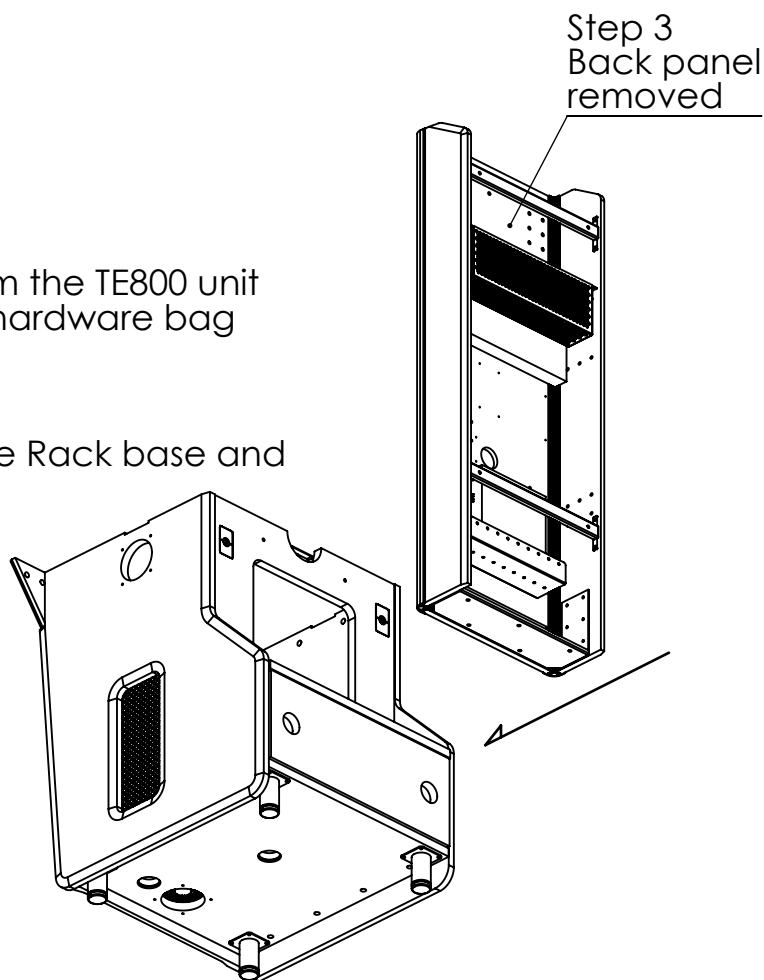
Step 1

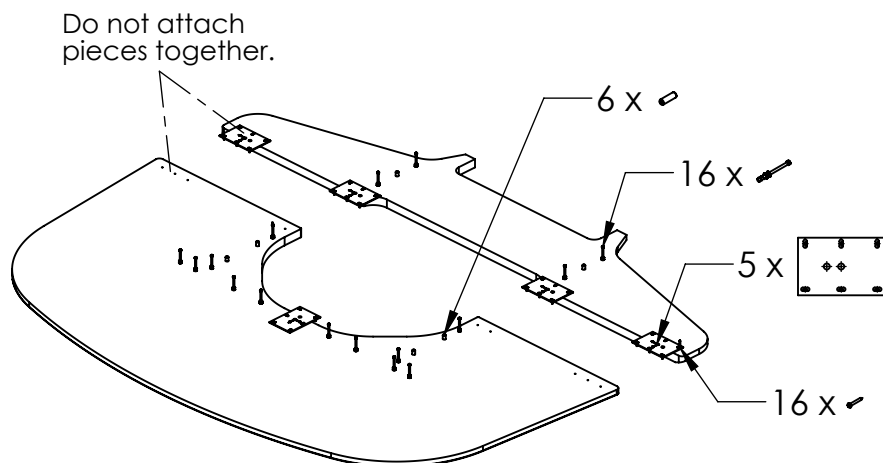
STEP 1:
 Insert 4 cam pins into Rack brace.
 (if all metal type- use philips #2)
 (if metal+plastic- lightly hit in w wrench)

STEP 2:
 Position the Rack brace by aligning the pins, using
 a phillips (+) screw driver turn the CAM locks until tight
 (DO NOT over-tighten)

STEP 3:
 Remove the back access panel from the TE800 unit
 with M5 allen key found in TV 32-52 hardware bag
 and set to the side.

STEP 4:
 CAREFULLY lift the TE800 unit onto the Rack base and
 adjust to centred and flush position.

Step 3
Back panel
removed

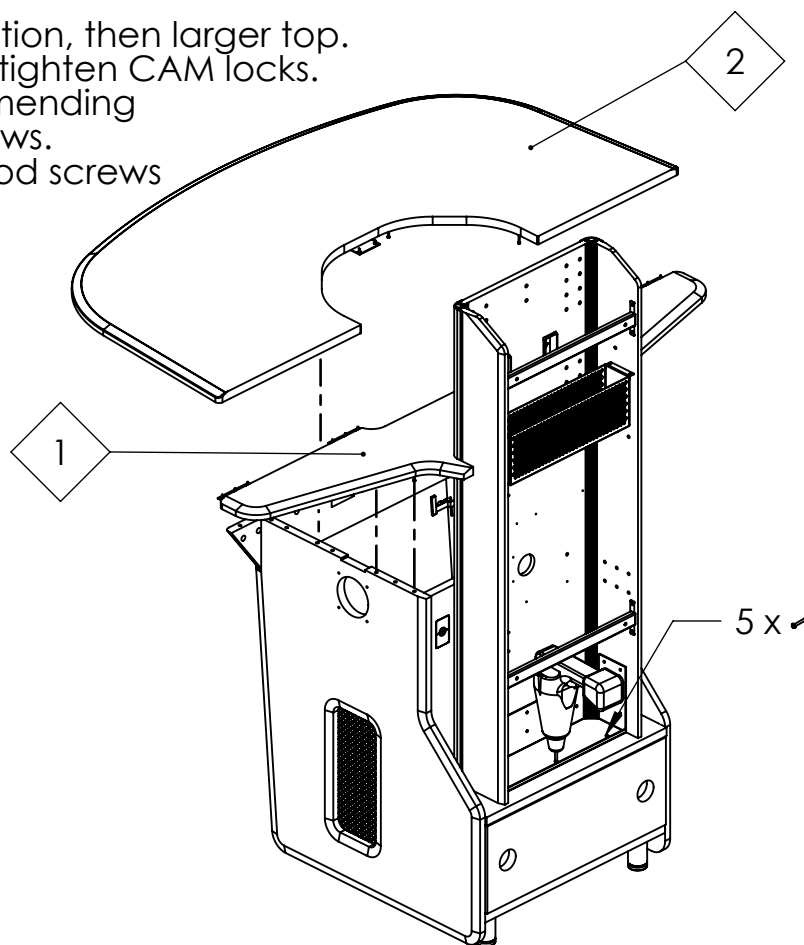


STEP 5:

- 1) Lay Table top pieces upside down on non-abrasive surface like carpet.
- 2) Using a cordless drill with a phillips (+) bit install CAM pins into pre-drilled holes
- 3) Attach mending plates with 1" Screws as shown
- 4) Insert Dowels in remaining holes.

STEP 6:

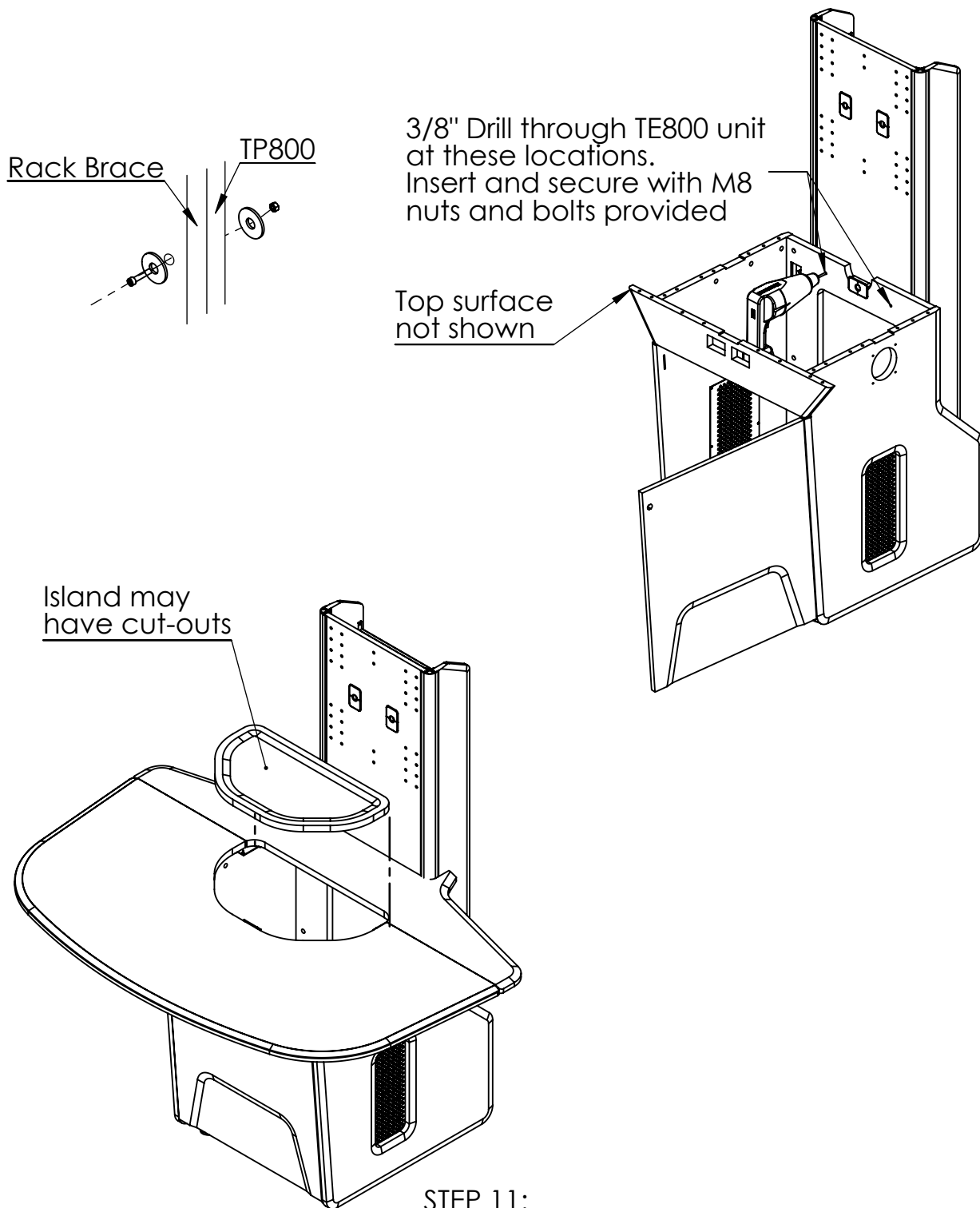
- 1) Place smaller top piece into position, then larger top.
- 2) Ensure all holes are aligned and tighten CAM locks.
- 3) Using a cordless drill secure the mending plates to the table tops with 1" screws.
- 4) Secure TP800 bottom with #8 wood screws

**AUDIO VISUAL FURNITURE INTERNATIONAL**

288 Don Hillock Drive, Aurora, Ontario L4G 0G9 www.video-furn.com
Toll Free: 1-877-834-3876 Fax: 1-905-751-1488 Local: 905-751-1459

STEP 7: (top surface hidden for visibility)

- 1) Using a 3/8" bit, drill through the TE800 through the guide holes in brace.
- 2) Secure the two units using the provided hardware (m8x60,M8 bolt and washer)



STEP 11:

- 1) Place island into space provided and secure to mending plates using 1" wood screws provided

AUDIO VISUAL FURNITURE INTERNATIONAL

288 Don Hillock Drive, Aurora, Ontario L4G 0G9 www.video-furn.com
Toll Free: 1-877-834-3876 Fax: 1-905-751-1488 Local: 905-751-1459

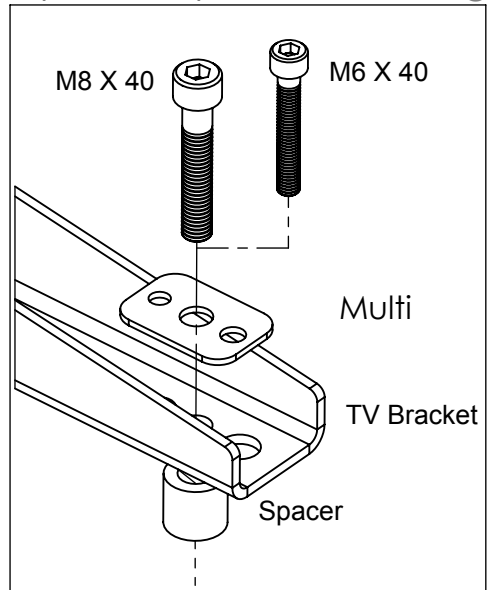
STEP 8

1. Place TV face down on blanket or non abrasive surface such as cardboard.
2. Check to see if your TV came with mounting hardware or not.
If not, we have supplied the most common hardware. (TV hardware Bag 32-52)
Most displays under 42" will use the M6 bolt. Most 42"+ will use the M8 bolts.
See which bolt length you need by hand tightening only.
3. Place TV brackets so you can see the TV mounting holes through the bracket and insert bolt through a multi washer.
4. Hand tighten until there is resistance, then give a half turn with hex key.
DO NOT OVERTIGHTEN AS THIS CAN DAMAGE OR PUNCTURE THE TV

Notes.

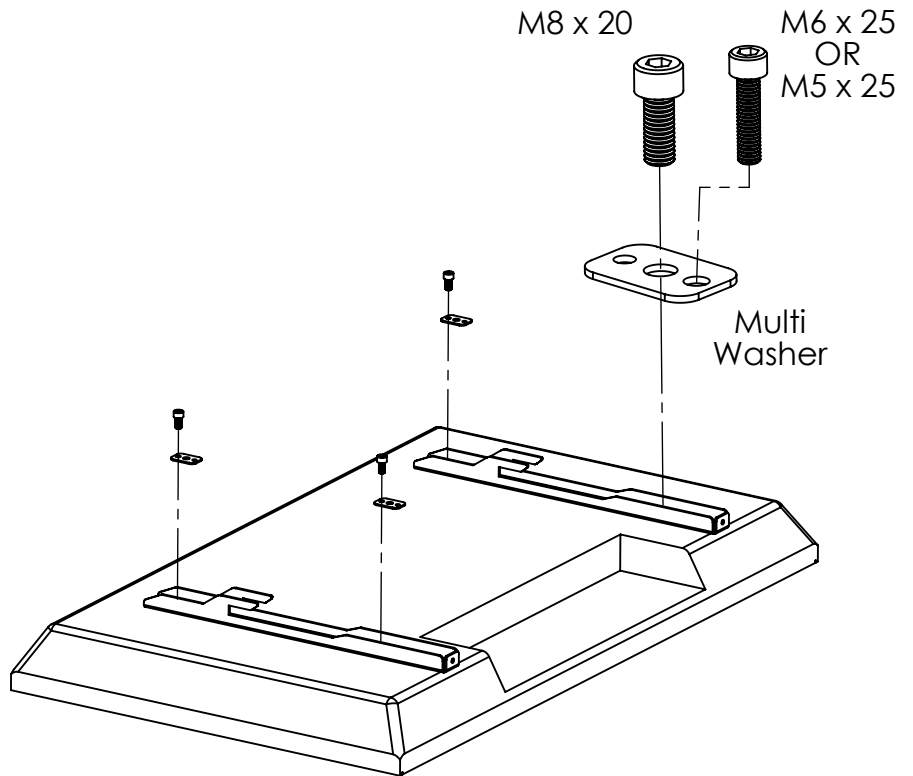
- Have 2 people lift the TV as it can be very heavy and awkward.
- Some TV's require non standard hardware. This bracket was made to accomodate up to M10 bolts which can be found at your local hardware store along with longer versions of the included hardware.

Optional Spacer mounting



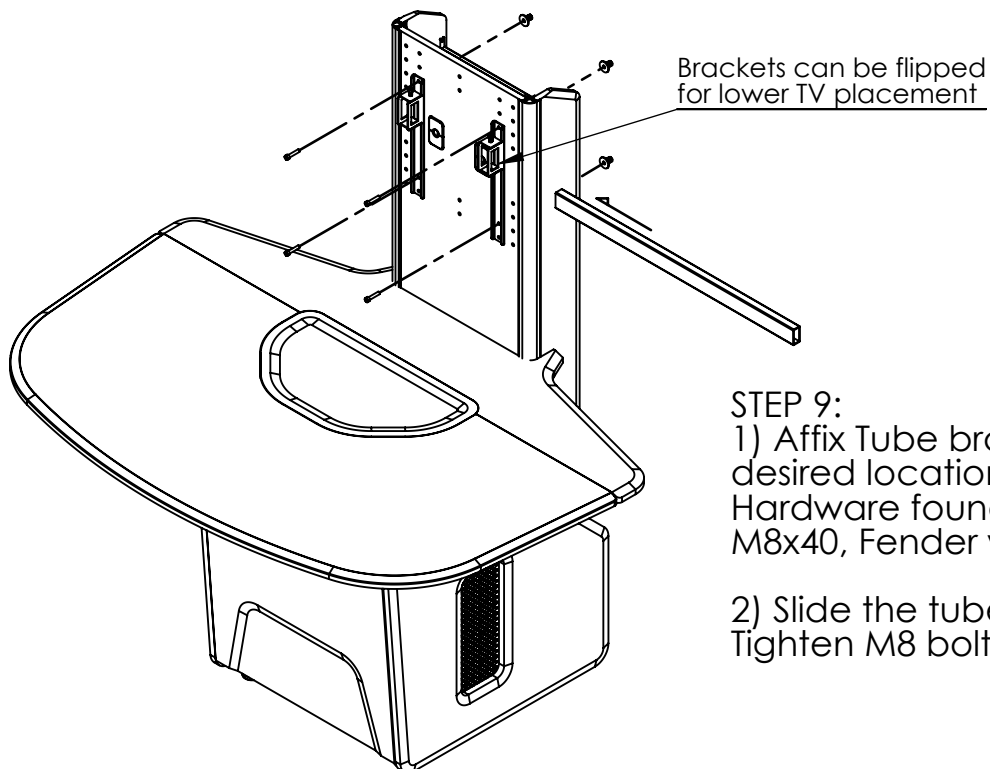
Spacer is used when the back of TV is not flat or the mount holes are sunk into the back of the TV. (Rarely used)

TV
Hardware Bag



AUDIO VISUAL FURNITURE INTERNATIONAL

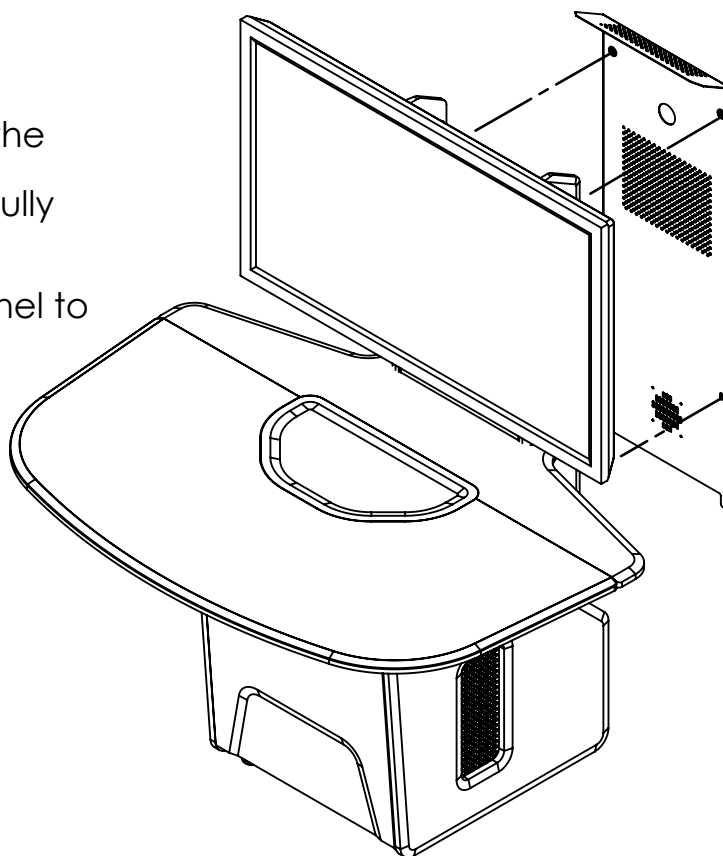
288 Don Hillock Drive, Aurora, Ontario L4G 0G9 www.video-furn.com
Toll Free: 1-877-834-3876 Fax: 1-905-751-1488 Local: 905-751-1459



- STEP 9:**
- 1) Affix Tube brackets to TP800 at desired location. Hardware found in TP800 hardware bag. M8x40, Fender washers, M8 nuts.
 - 2) Slide the tube through the brackets. Tighten M8 bolts on Tube Brackets.

- STEP 10:**
- 1) With assistance lift the TV onto the support bar (ENSURE the TV is on the bar and fully supported before letting go)
 - 2) Re-attach the back access panel to complete assembly

NOTE: If there is more wiring required, leave the back panel off to allow access



AUDIO VISUAL FURNITURE INTERNATIONAL